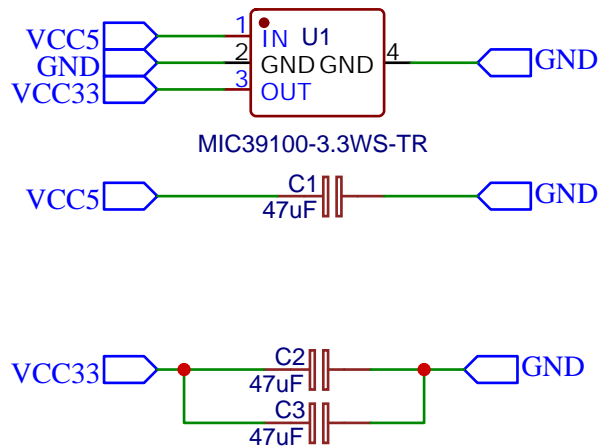
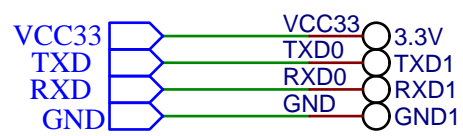


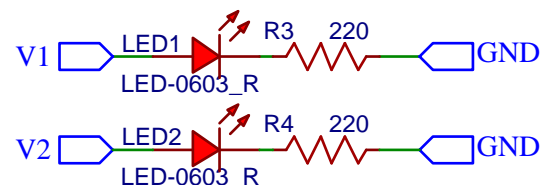
### 3.3V POWER SUPPLY UNIT



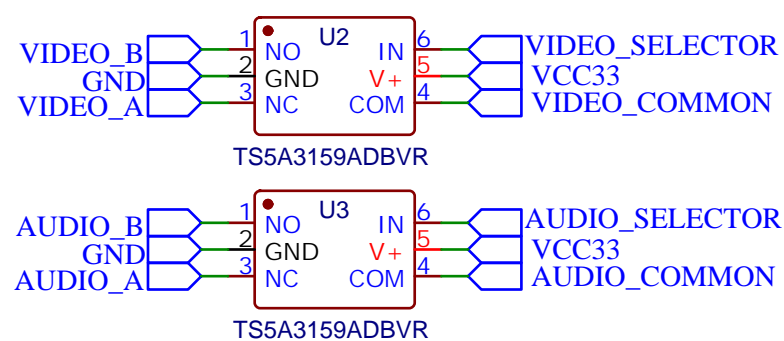
### DEBUG PORT



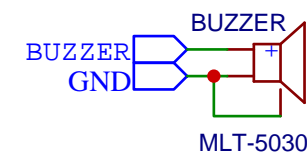
### INDICATORS



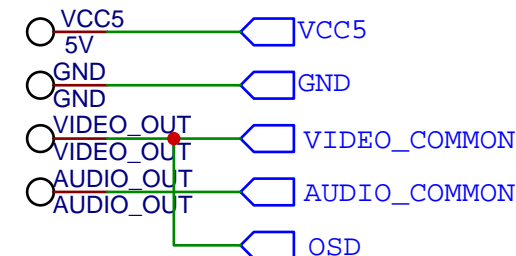
### VIDEO AUDIO SELECTOR



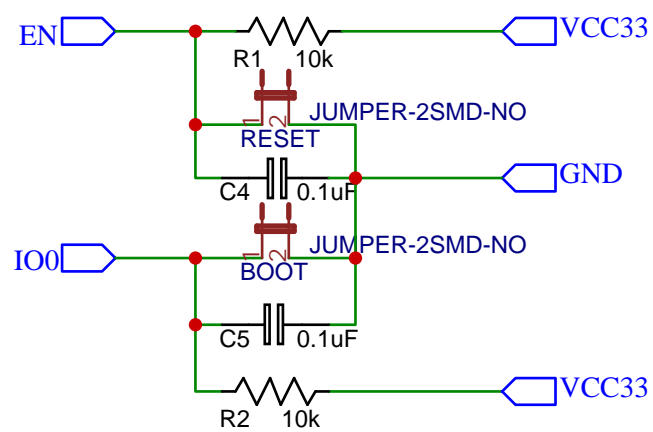
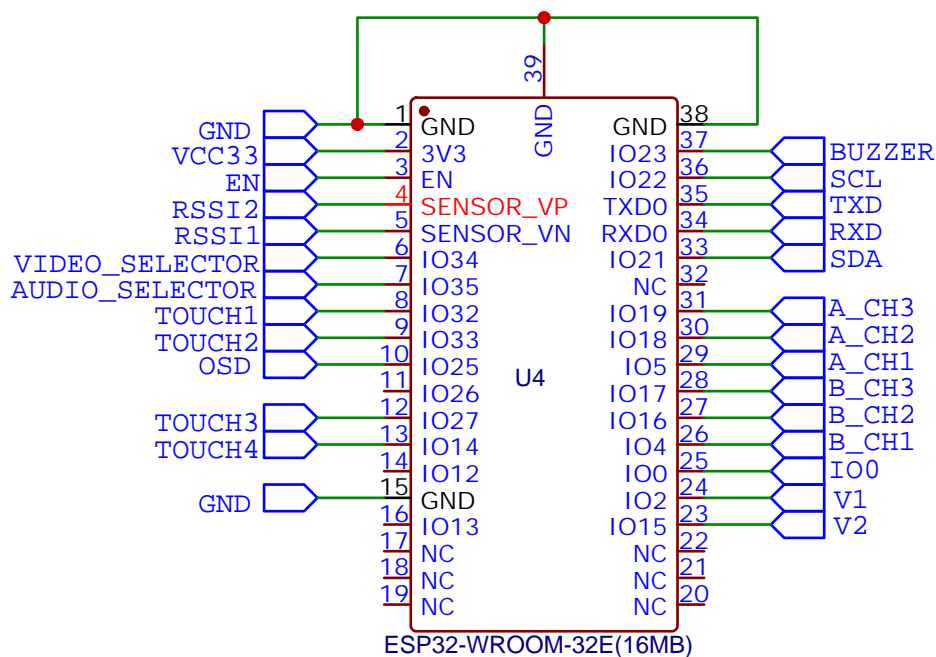
### BUZZER



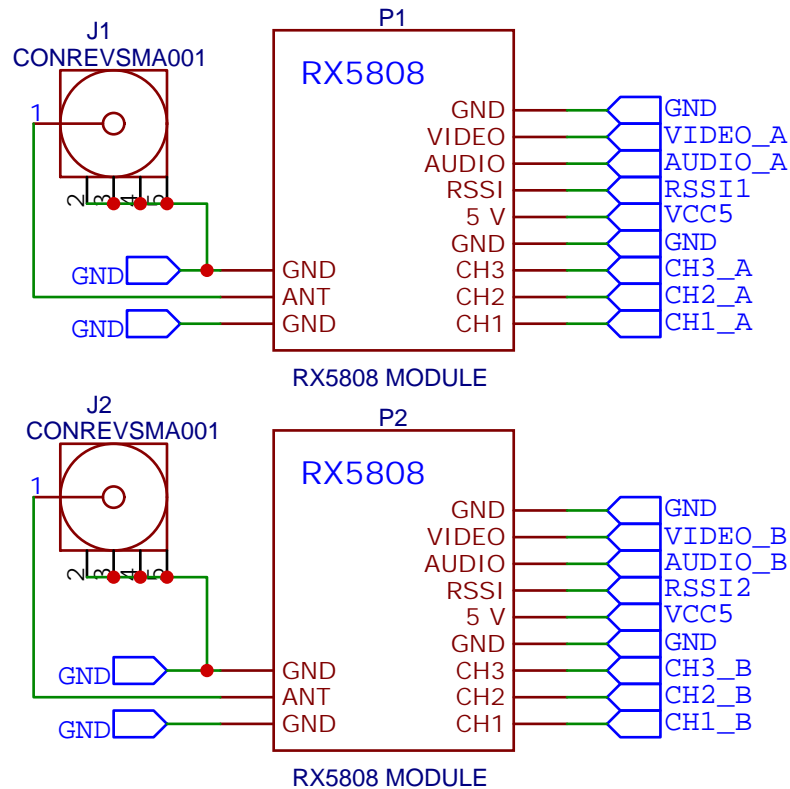
### CONNECTIONS PAD



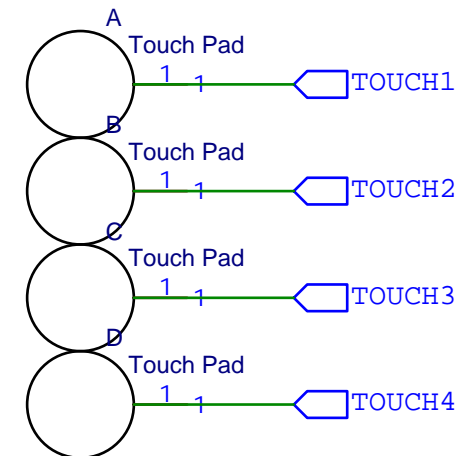
### MCU



### VTX RECEIVERS



### TOUCH PADS



### VTX SELECTOR

