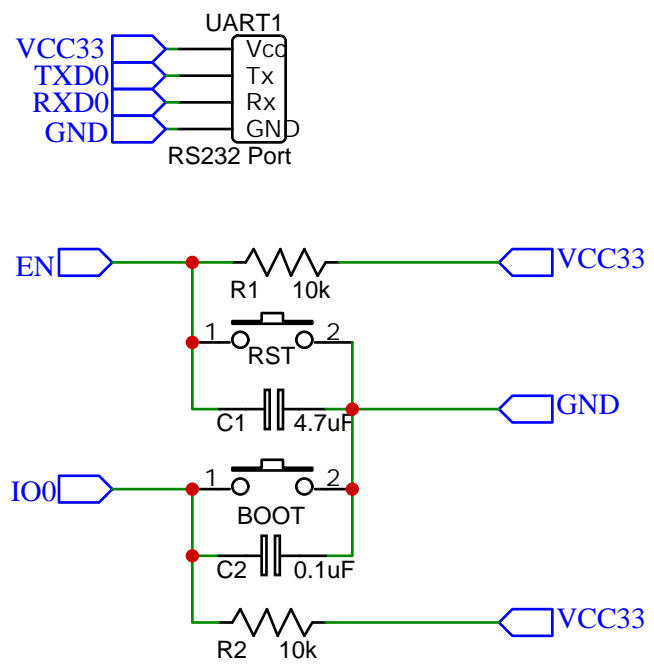
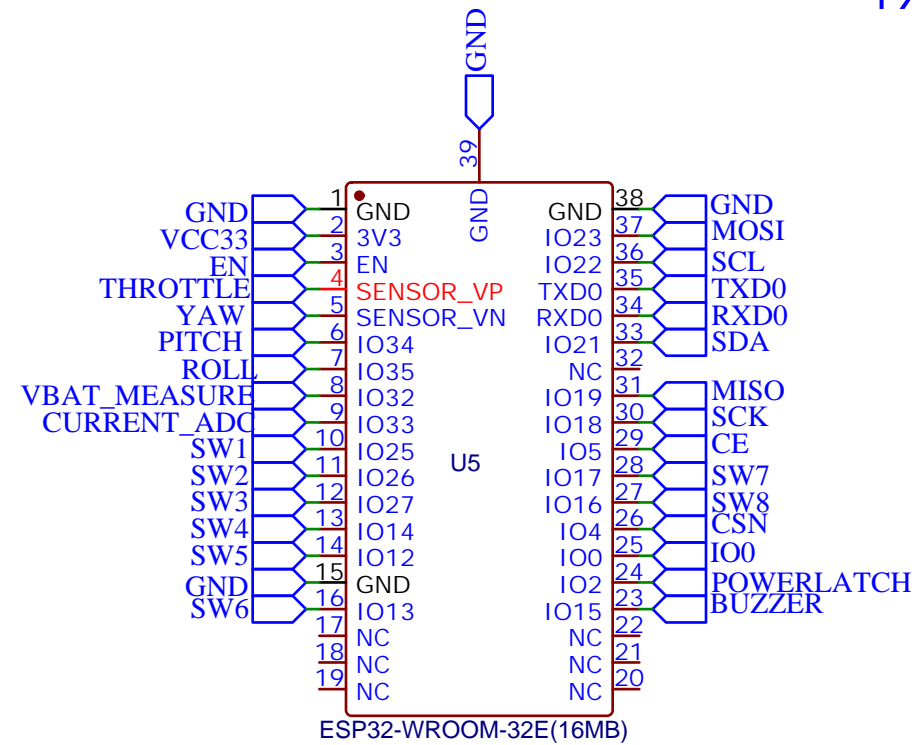
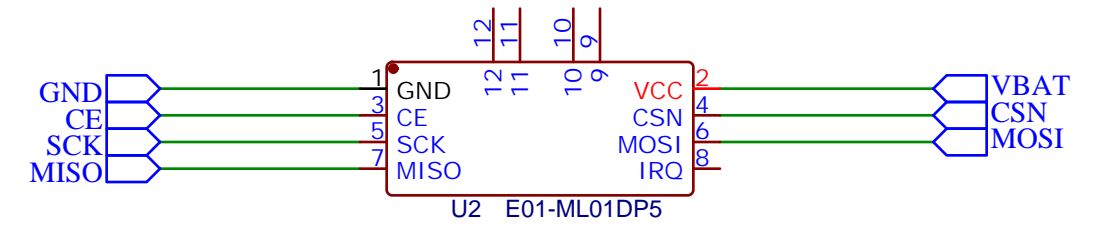


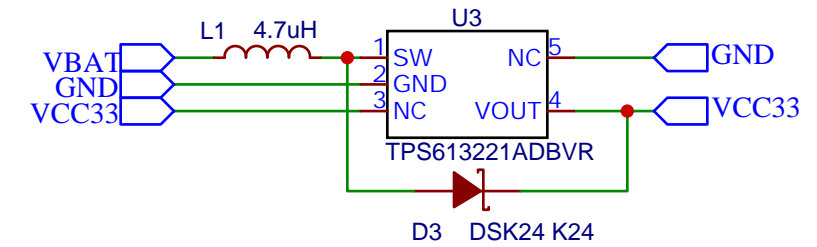
TX MCU



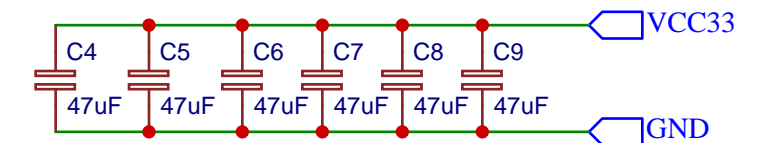
NRF24L01 TRANSCEIVER



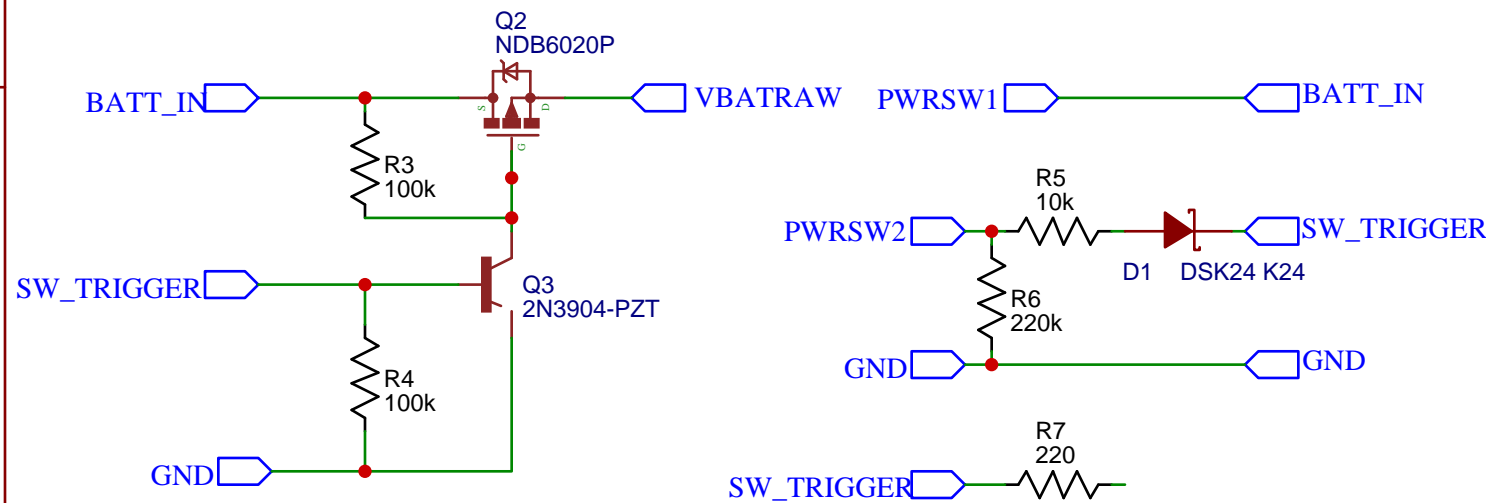
3.3V BUCK BOOST



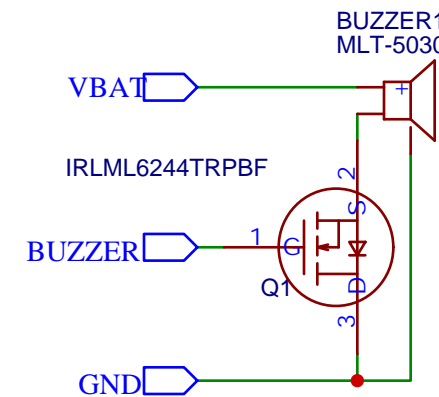
POWER STABILIZATION



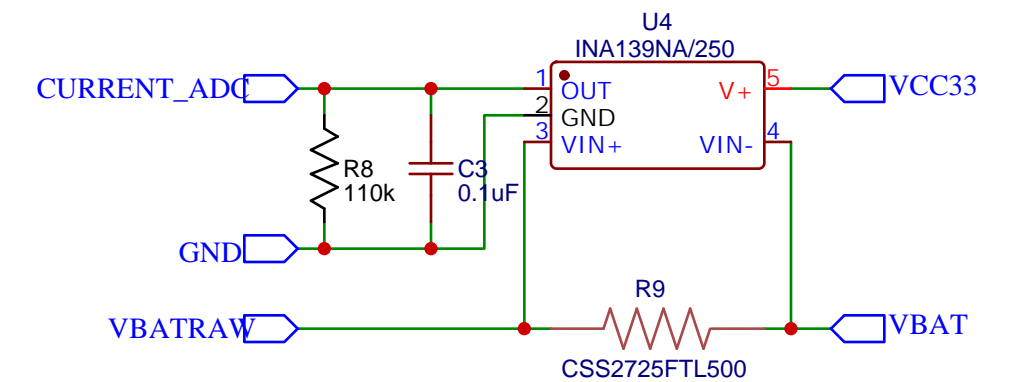
POWER LATCH SWITCH



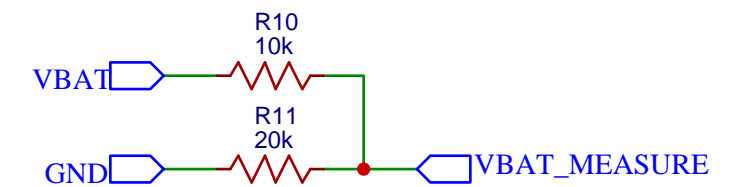
BUZZER



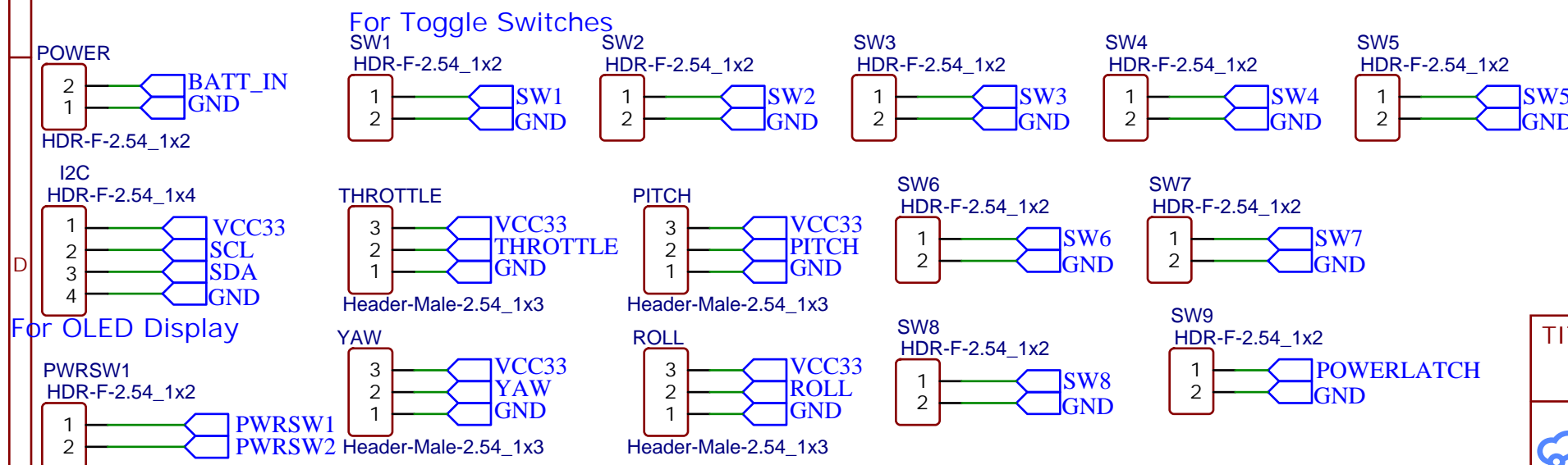
CURRENT METER



VOLTAGE MEASUREMENT



RED
GREEN
YELLOW
BLACK



TITLE: NaMiTX		REV: 1.1
Company: Your Company		Sheet: 1/1
Date: 2021-04-14		Drawn By: Englebert Lai